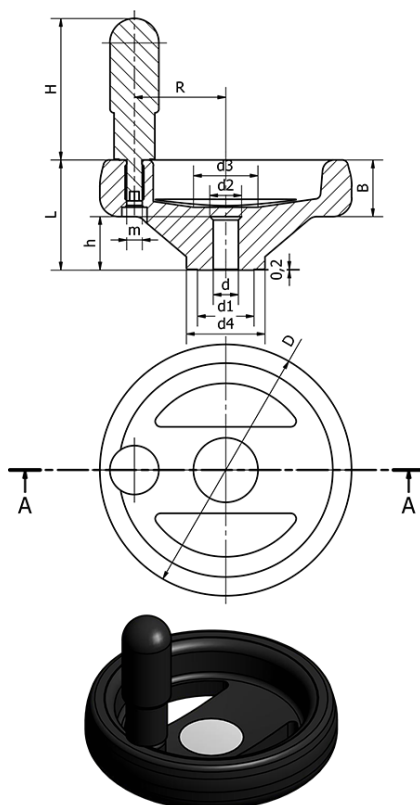


Data Sheet



Article number: 2301079111R
Description: E+G Handwheel
VRTP.80-P+I-SST-8
Note: Plastic

Measures



= -	d H7	= 8
B = 18	H	= 17
Code = 79111-R	L	= 35
D = 80	R	= 29
d1 = 18	Type	= VRTP.80-P+I-SST-8
d2 = 16	Weight (g)	= 104
d3 = 20.5		
d4 = 25		